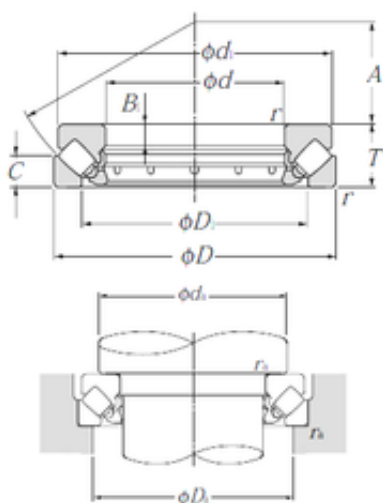




Original Koyo Bearing LTD



29422 NTN Thrust Spherical Roller Bearing

Bearing No. 29422

Size	110x230x73 mm
Bore Diameter	110 mm
Outer Diameter	230 mm
Width	73 mm
d	110 mm
D	230 mm
T	73 mm
B1	26 mm
C	35 mm
d1	220 mm
r min.	3 mm
A	69 mm
D1	162 mm
da min.	165 mm
Da max.	190 mm
ra max.	2,5 mm
Weight	15 Kg
Basic dynamic load rating (C)	845 kN
Basic static load rating (C0)	2 620 kN
Category	Roller Bearings
Inventory	0.0
Manufacturer Name	NTN
Minimum Buy Quantity	N/A
Weight / Kilogram	14.9
Product Group	B04311
bore diameter:	110 mm

29422 Bearing 2D drawings and 3D CAD models



Original Koyo Bearing LTD

bearing material:	Through Hardened Steel
outside diameter:	230 mm
operating temperature range:	-40 to 120 ° C
overall width:	73 mm
maximum rpm:	1400 rpm
cage type:	Machined - Two Piece
separable type:	Separable Bearing
enclosure:	Open
fillet radius:	3 mm
cage material:	Brass
series:	294
static load capacity:	2620000 N
manufacturer product page:	Click here
dynamic load capacity:	845000 N