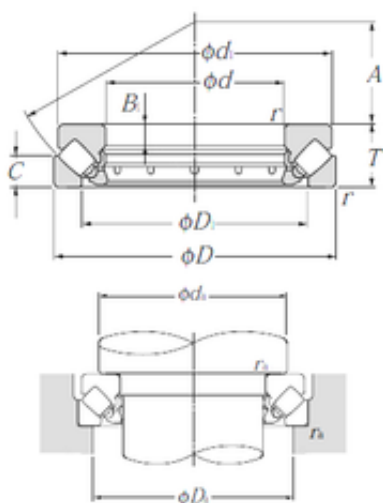




Original Koyo Bearing LTD



29424 NTN Thrust Spherical Roller Bearing

Bearing No. 29424

Size	120x250x78 mm
Bore Diameter	120 mm
Outer Diameter	250 mm
Width	78 mm
d	120 mm
D	250 mm
T	78 mm
B1	29 mm
C	37 mm
d1	236 mm
r min.	4 mm
A	74 mm
D1	174 mm
da min.	180 mm
Da max.	205 mm
ra max.	3 mm
Weight	18,6 Kg
Basic dynamic load rating (C)	975 kN
Basic static load rating (C0)	3 050 kN
Category	Roller Bearings
Inventory	0.0
Manufacturer Name	NTN
Minimum Buy Quantity	N/A
Weight / Kilogram	18.4
Product Group	B04311
bore diameter:	120 mm

29424 Bearing 2D drawings and 3D CAD models



Original Koyo Bearing LTD

maximum rpm:	1300 rpm
outside diameter:	250 mm
separable type:	Separable Bearing
overall width:	78 mm
fillet radius:	4 mm
operating temperature range:	-40 to 120 ° C
series:	294
static load capacity:	3050000 N
cage type:	Machined - Two Piece
bearing material:	Through Hardened Steel
enclosure:	Open
cage material:	Brass
manufacturer product page:	Click here
dynamic load capacity:	975000 N