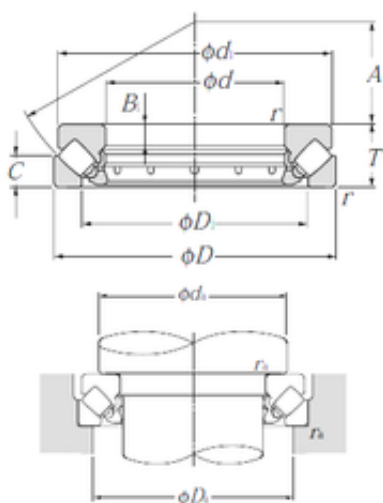




Original Koyo Bearing LTD



29428 NTN Thrust Spherical Roller Bearing

Bearing No. 29428

Size	140x280x85 mm
Bore Diameter	140 mm
Outer Diameter	280 mm
Width	85 mm
d	140 mm
D	280 mm
T	85 mm
B1	31 mm
C	41 mm
d1	268 mm
r min.	4 mm
A	86 mm
D1	199 mm
da min.	205 mm
Da max.	235 mm
ra max.	3 mm
Weight	25,2 Kg
Basic dynamic load rating (C)	1 110 kN
Basic static load rating (C0)	3 750 kN
Category	Roller Bearings
Inventory	0.0
Manufacturer Name	NTN
Minimum Buy Quantity	N/A
Weight / Kilogram	25.1
Product Group	B04311
bore diameter:	140 mm

29428 Bearing 2D drawings and 3D CAD models



Original Koyo Bearing LTD

maximum rpm:	1200 rpm
outside diameter:	280 mm
separable type:	Separable Bearing
overall width:	85 mm
fillet radius:	4 mm
operating temperature range:	-40 to 120 ° C
series:	294
static load capacity:	3750000 N
cage type:	Machined - Two Piece
bearing material:	Through Hardened Steel
enclosure:	Open
cage material:	Brass
manufacturer product page:	Click here
dynamic load capacity:	1110000 N